



System concept

The customer display Vectron C56 is the ideal completion of the POS systems Vectron POS Mini II, POS Vario II and the models of Vectron POS Touch 12 and POS Touch 15 for display of customer sales information like product designation, single price, total price, total sum etc.

The customer display can be mounted to the rear of the POS system housing or is alternatively available on a pole in two variants with different heights. For optimum alignment to the customer you can adjust the tilt angle of the graphic display, which is LED-backlit and easily readable. The pole variants can also be swivelled to the side.



Hardware

Technical data of Vectron C56	
Screen diagonal	13.16 cm (5.2")
Display type	FSTN-LCD (transflective)
Display	graphical black-white customer display, 2 x 20 characters
Lighting	white LED-backlight
Resolution	240 x 64 pixels
Supported POS models	Vectron POS Mini II; Vectron POS Vario II; the models of Vectron POS Touch 12 and POS Touch 15
Housing	high-quality plastic housing; imprinted glass in front of the LCD
Connection	via internal display cable to POS system or per USB standard cable to one of the USB ports of the POS system
Power supply	via internal display cable to POS system or per USB standard cable to one of the USB ports of the POS system
Temperature	storage: -10 to 50 °C operation: 0 to 40 °C
Dimensions	see drawings
Weight	315 g: Vectron C56 incl. joint for mounting to POS system 2.180 g: Vectron C56 to short pole 2.380 g: Vectron C56 to long pole



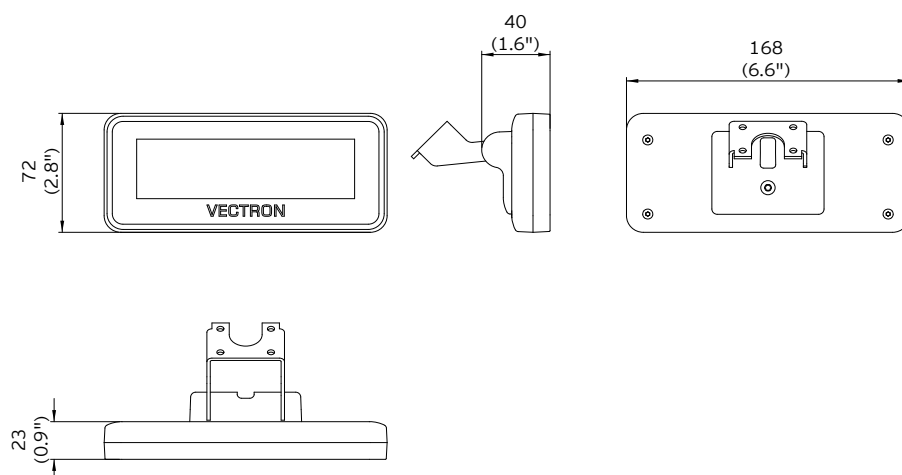


Shipment

Vectron C56	
Standard shipment	Customer display Vectron C56 as per order Dispatch box
Order variants	20040055 - Customer display Vectron C56 integrated at POS system optional accessories: mounting set for the respective POS system (hinge, covers, screws) 11010209 - Customer display Vectron C56 on pole short incl. con- nection cable 11010210 - Customer display Vectron C56 on pole long incl. con- nection cable 20040074 - Customer display Vectron C56 black integrated at POS system optional accessories: mounting set for the respective POS system (hinge, covers, screws) 11010214 - Customer display Vectron C56 on pole short black incl. connection cable (not available yet) 11010215 - Customer display Vectron C56 on pole long black incl. connection cable (not available yet)

Dimensions (in mm and inch)

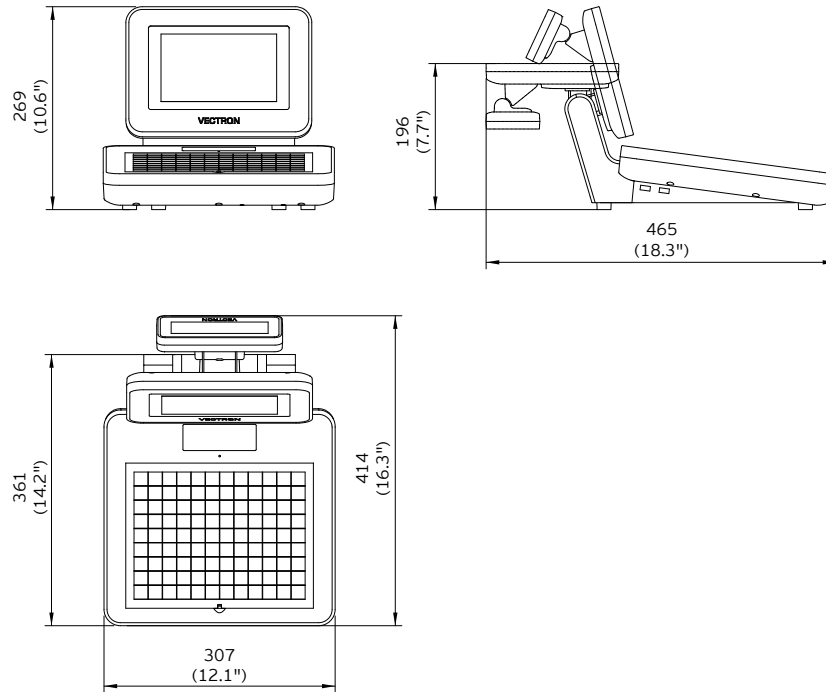
Dimensions customer display Vectron C56



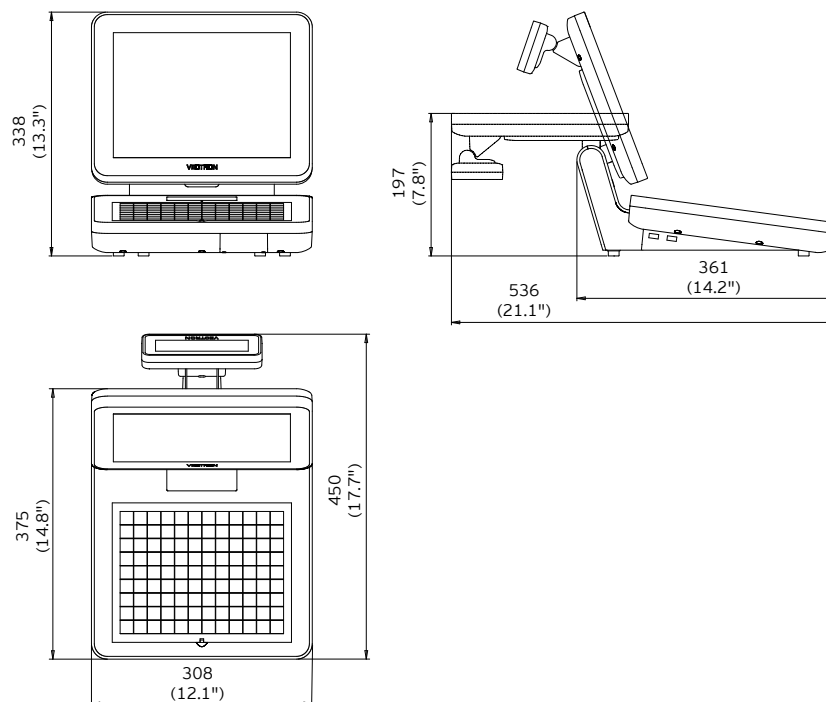
DATA SHEET
CUSTOMER DISPLAY VECTRON C56



Dimensions customer display Vectron C56 at Vectron POS Mini II



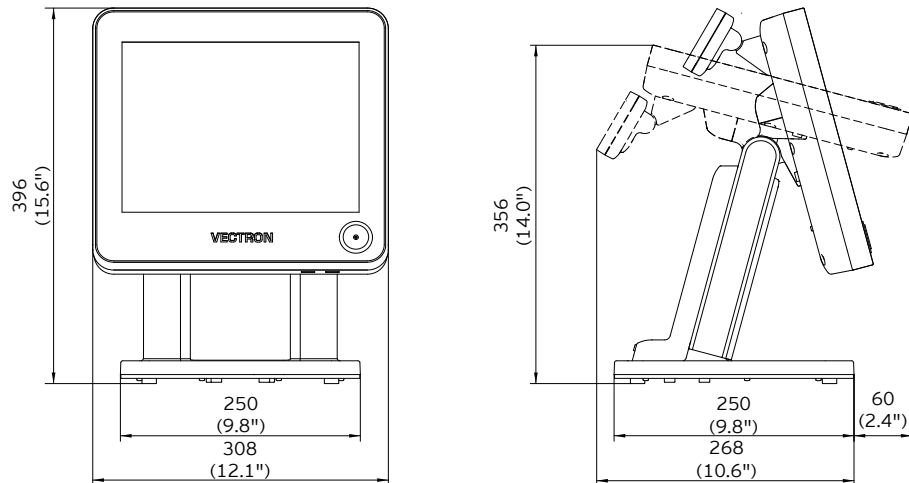
Dimensions customer display Vectron C56 at Vectron POS Vario II



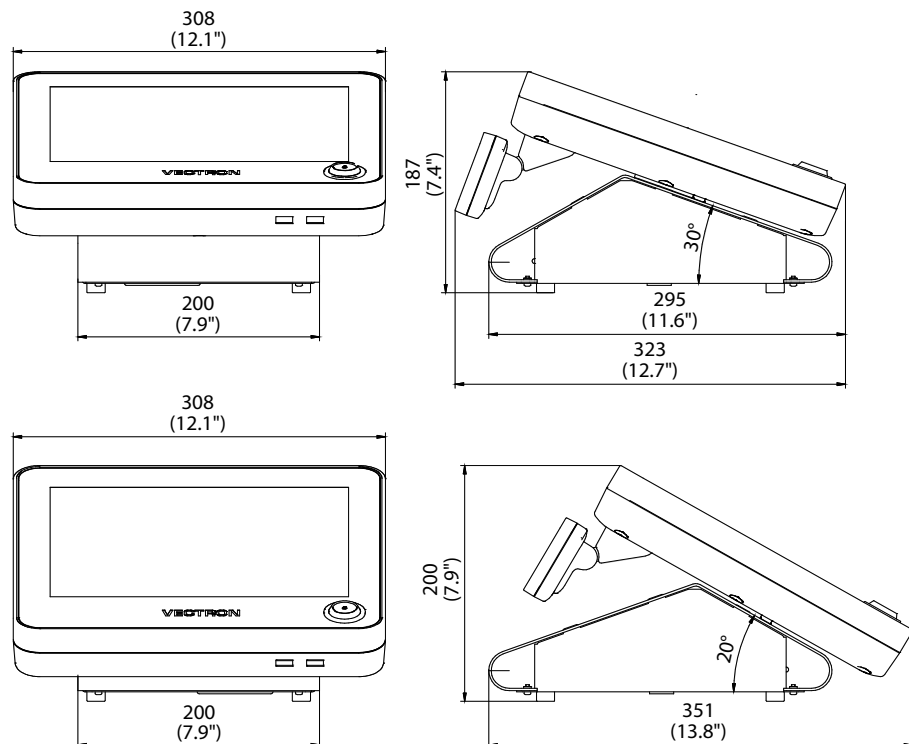
DATA SHEET
CUSTOMER DISPLAY VECTRON C56



Dimensions customer display Vectron C56 at Vectron POS Touch 12 incl. foot S400



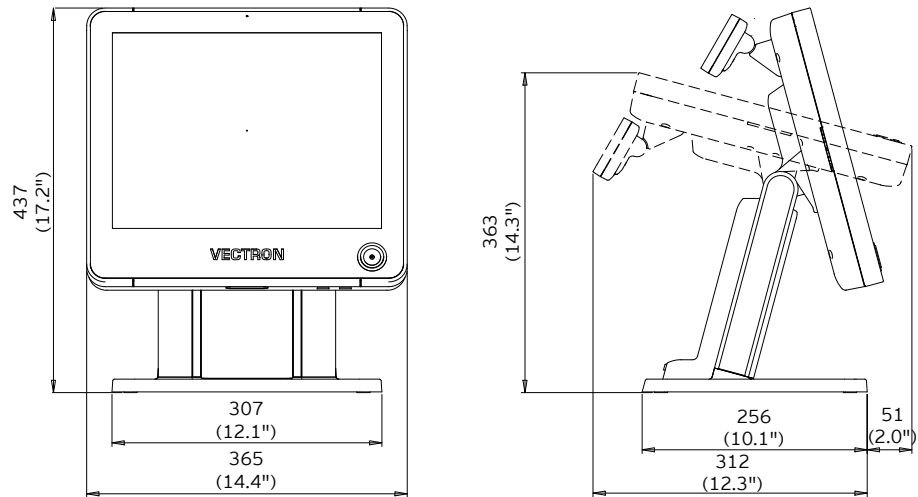
Dimensions customer display Vectron C56 at Vectron POS Touch 12 incl. foot S500



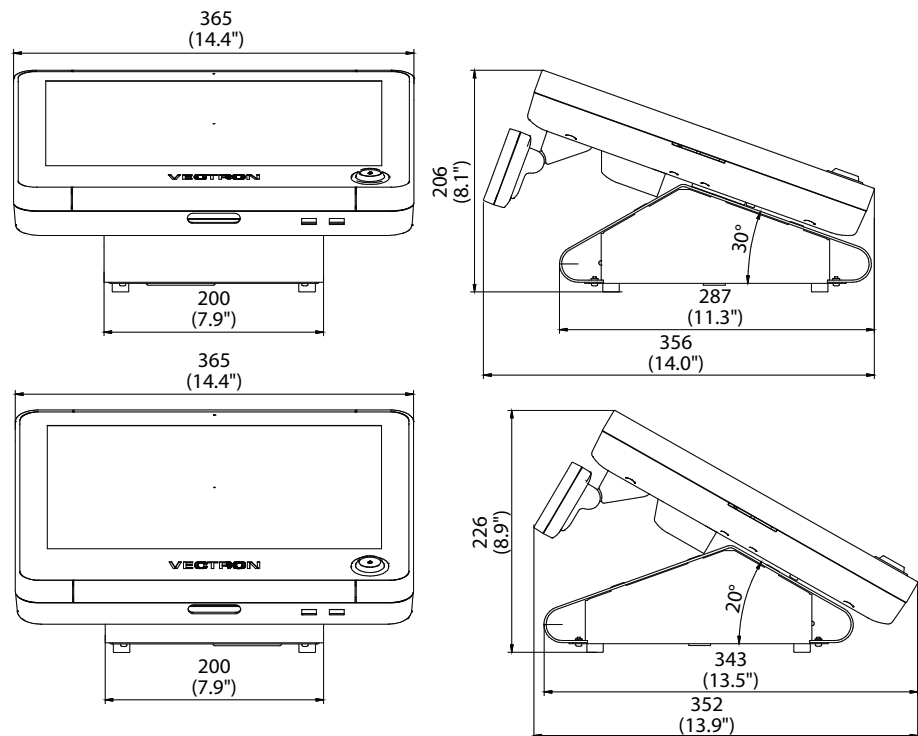
DATA SHEET
CUSTOMER DISPLAY VECTRON C56



Dimensions customer display Vectron C56 at Vectron POS Touch 15 incl. foot S420



Dimensions customer display Vectron C56 at Vectron POS Touch 15 incl. foot S500



DATA SHEET
CUSTOMER DISPLAY VECTRON C56



Dimensions customer display Vectron C56 on pole

